

Zoom H4n Audio Deck Settings

NAMES _____ PERIOD 1 2 3 4 5 6
 PROJECT _____ START DATE _____

MENU SETTINGS (Stamina Mode ON)

- FOLDER FOLDER01 FOLDER02 FOLDER03 FOLDER04
- INPUT
 - LO CUT 80 Hz
 - MONITOR ON OFF
 - 1/2 LINK ON OFF
 - LEVEL AUTO ON OFF
 - MONO MIX ON OFF
 - PHANTOM (Power for Mic.) 48v OFF
 - Other option(s):
- REC
 - FILE NAME - Use DATE option (example: 170131-001.wav)
- SYSTEM
 - BATTERY Alkaline/Lithium or Ni-MH (Blue Rechargeable)
- SD CARD FORMAT (clear all info on card)
- MODE (turn off Stamina Mode) STEREO 4 CHANNEL MTR

SELECT INPUT - 1 and 2

MICROPHONE

- Plug in Microphone CHANNEL 1 CHANNEL 2

RECORD

- Tap the RECORD BUTTON (*flashing red ring means ready to record*)

POSITION

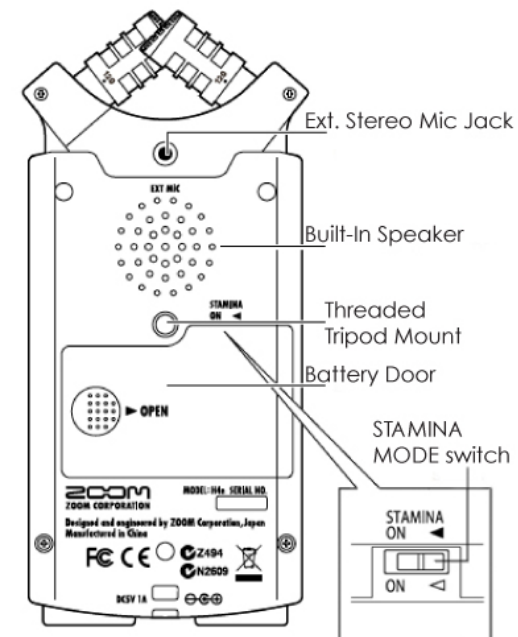
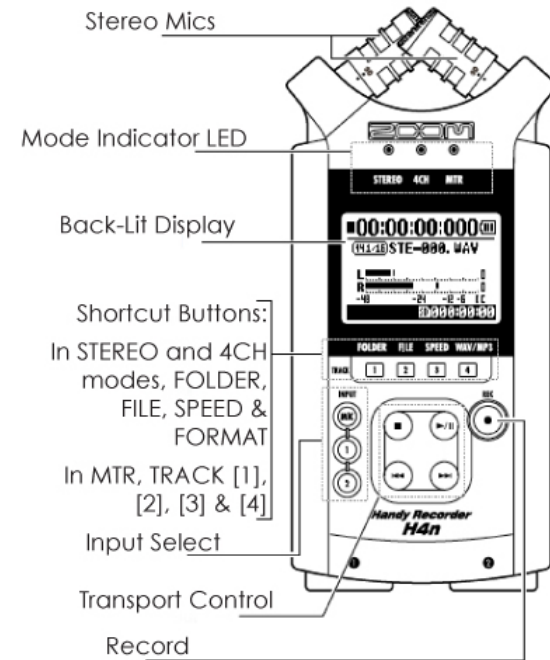
- Get Your Frame
 - Get the mic just out of the frame (*above the talent if possible*)

RECORDING

- Director says **ROLE AUDIO**
- Press **RECORD BUTTON** (*red ring light should be solid red*)
- State: "SCENE 1, TAKE 1" (*as an example*)
- Click of the **SLATE**, or hand clap, to create a nice sharp audio wave
- Director says **ACTION**, scene starts, director says **CUT** after scene is over
- Tap the **STOP BUTTON** (*square button*)
 - Pushing the record button will pause
 - Pushing the record button again will continue recording on same file

SAVE FILES

- Turn off the Zoom Audio Deck
- Plug in a **USB CABLE** to computer
- Select **USB STORAGE**
- Download **AUDIO FILES**: Label and Organize on in a shared team folder



Zoom H4n Audio Deck Settings

NAMES _____ PERIOD 1 2 3 4 5 6
 PROJECT _____ START DATE _____



MENU SETTINGS

(Stamina Mode ON)

- FOLDER FOLDER01 FOLDER02 FOLDER03 FOLDER04
- INPUT
 - LO CUT 80 Hz
 - MONITOR ON OFF
 - 1/2 LINK ON OFF
 - LEVEL AUTO ON OFF
 - MONO MIX ON OFF
 - PHANTOM (Power for Mic.) 48v OFF
 - Other option(s):
- REC
 - FILE NAME - Use DATE option (example: 170131-001.wav)
- SYSTEM
 - BATTERY Alkaline/Lithium or Ni-MH (Blue Rechargeable)
- SD CARD FORMAT (clear all info on card)
- MODE (turn off Stamina Mode) STEREO 4 CHANNEL MTR

SELECT INPUT - 1 and 2



MICROPHONE

- Plug in Microphone CHANNEL 1 CHANNEL 2

RECORD

- Tap the RECORD BUTTON (flashing red ring means ready to record)

POSITION

- Get Your Frame
 - Get the mic just out of the frame (above the talent if possible)

RECORDING

- Director says **ROLE AUDIO**
- Press **RECORD BUTTON** (red ring light should be solid red)
- State: "SCENE 1, TAKE 1" (as an example)
- Click of the **SLATE**, or hand clap, to create a nice sharp audio wave
- Director says **ACTION**, scene starts, director says **CUT** after scene is over
- Tap the **STOP BUTTON** (square button)
 - Pushing the record button will pause
 - Pushing the record button again will continue recording on same file

SAVE FILES

- Turn off the Zoom Audio Deck
- Plug in a **USB CABLE** to computer
- Select **USB STORAGE**
- Download **AUDIO FILES**: Label and Organize on in a shared team folder

